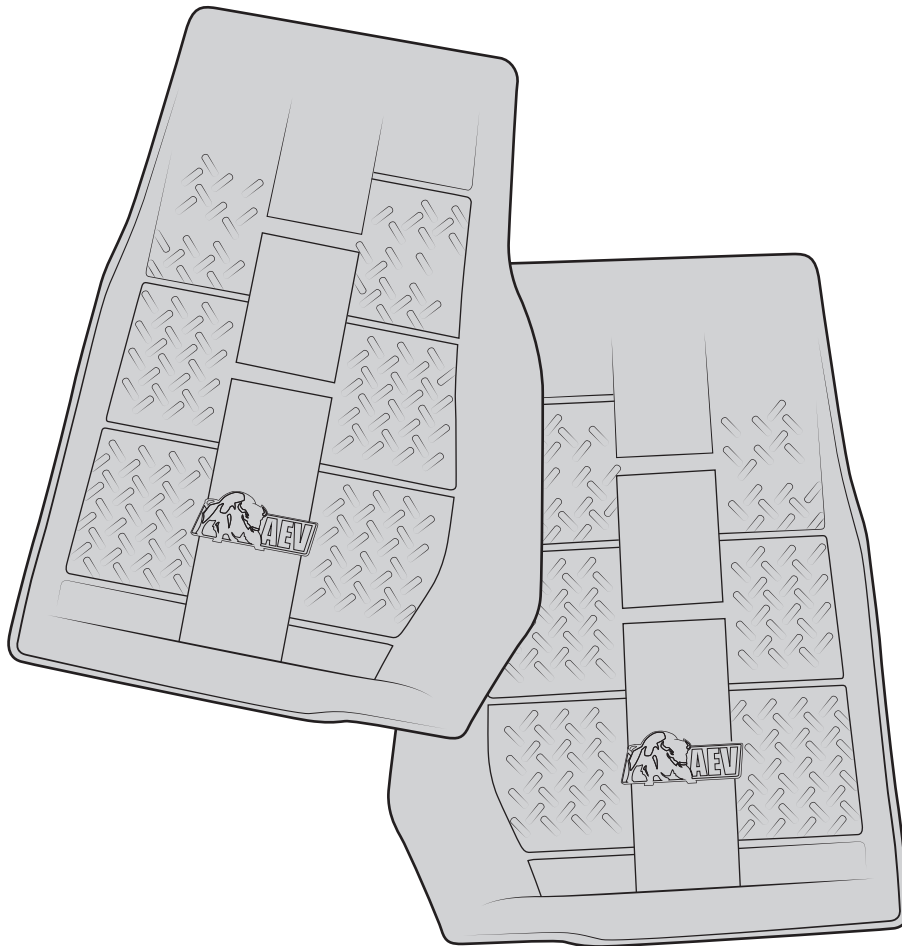




JK FRONT FLOOR MATS



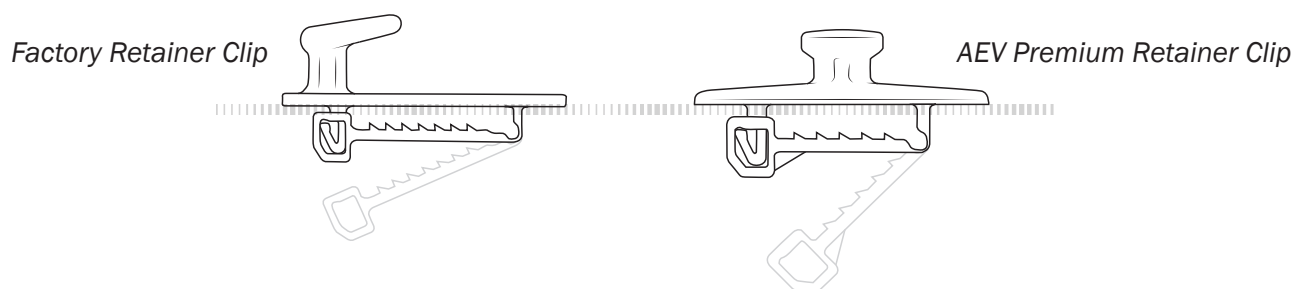
AEV30116AA
Last Updated: 12/28/12

INSTALLATION GUIDE



INCLUDED PARTS	QTY	REQUIRED TOOLS
LH Floor Mat	1	Small Flathead Screwdriver (1/8th-in)
RH Floor Mat	1	Flashlight
Molded Mat Retainers	2	

Installation of the AEV Front Floor Mat requires the removal of the factory “hook” style retainer and the installation of the supplied Premium “button” style retainer.



INSTALLATION

1. Remove factory floor mats.
2. Lift the front of the retainer clip from the carpet to expose the snap lock mechanism.
3. Insert the tip of a small flathead screwdriver into the snap lock.
4. Rotate the screwdriver to unlock the snap. The clip will spring open
5. Remove factory retainer clip from floor carpet.
6. Insert supplied AEV clip through carpet slits, making sure the hinge is towards the rear, and push closed to secure snap lock.

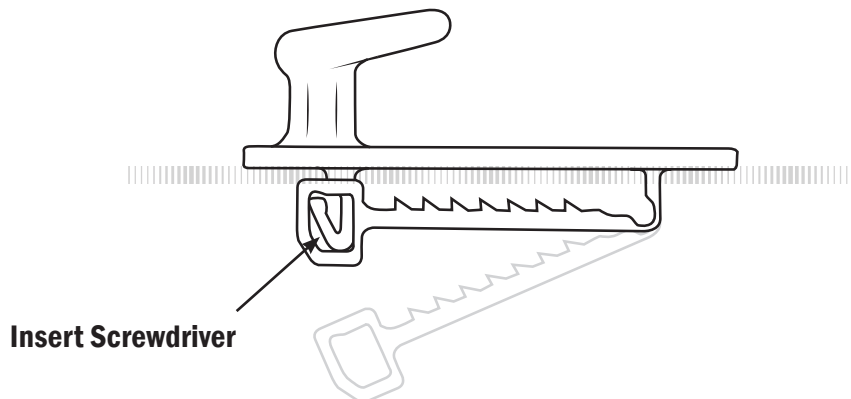


Figure 1