



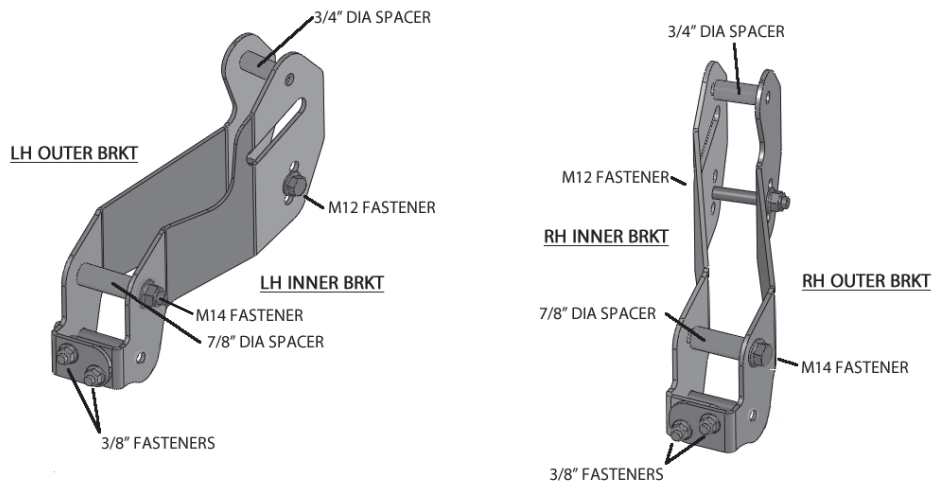
# JK FRONT CONTROL ARM DROP BRACKETS



## PLEASE READ BEFORE YOU START

TO GUARANTEE A QUALITY INSTALLATION, WE RECOMMEND READING THESE INSTRUCTIONS THOROUGHLY BEFORE BEGINNING ANY WORK. THESE INSTRUCTIONS ASSUME A CERTAIN AMOUNT OF MECHANICAL ABILITY AND ARE NOT WRITTEN NOR INTENDED FOR SOMEONE NOT FAMILIAR WITH AUTO REPAIR.

INCLUDED PARTS	QTY	REQUIRED TOOLS
LH Outer Bracket	1	Common Hand Tools
LH Inner Bracket	1	
RH Outer Bracket	1	
RH Inner Bracket	1	
Hardware Pack:		
3/8" Carriage Bolt	4	
3/8" Flange Nut	4	
1/2" Flat Washer (SAE)	2	
Tube Spacer (small)	2	
Tube Spacer (large)	2	
M14 Hex Bolt	4	
Cam Bolt Washer	4	
M12 Hex Bolt	2	
1/2" Flat Washer (USS)	2	
M12 Lock Nut	2	
M14 Flange Nut	4	



## A. INSTALLATION WITH AEV JK 2.5"/3.5"/4.5" SUSPENSION KITS

1. These drop brackets are engineered to work with AEV 2.5", 3.5", and 4.5" suspensions. They will also work with other suspension brands, however it is important your vehicles ride height falls within the specified range. If you are installing these brackets with a Non-AEV suspension, proceed to Section B for instructions on measuring ride height.
2. NOTE: This installation is best performed with all four wheels on the ground.
3. WORK ON ONE SIDE AT A TIME! Remove the upper and lower control arm bolts at the frame end and save the factory hardware. NOTE: Depending on the build of your vehicle you might need to pry the exhaust out of the way to remove and install the RH upper control arm bolt (M12).
4. Install the brackets as shown (Figure 1). Use the factory hardware and supplied spacers (which will fill the void for the control arms) in the original control arm mounting locations.

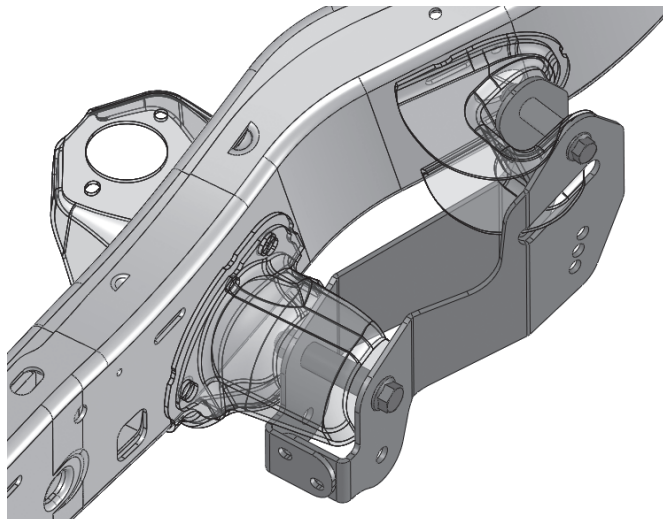


Fig. 1



5. Use the supplied hardware to mount the control arms in the new dropped locations (M12 fasteners for the upper control arms and M14 for the lower control arms.)
6. NOTE: There are three relocation holes in the brackets for mounting the upper control arms. For the AEV 2.5" Suspension Kit use the upper hole location, the AEV 3.5" Suspension Kit use the middle hole location, and for the AEV 4.5" Suspension Kit use the bottom hole as shown (Figure 3.)

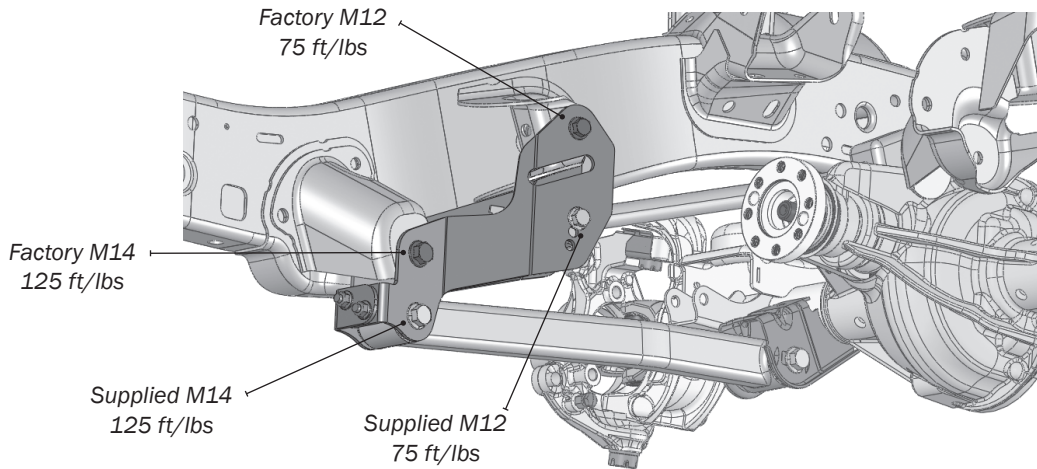


Fig. 2

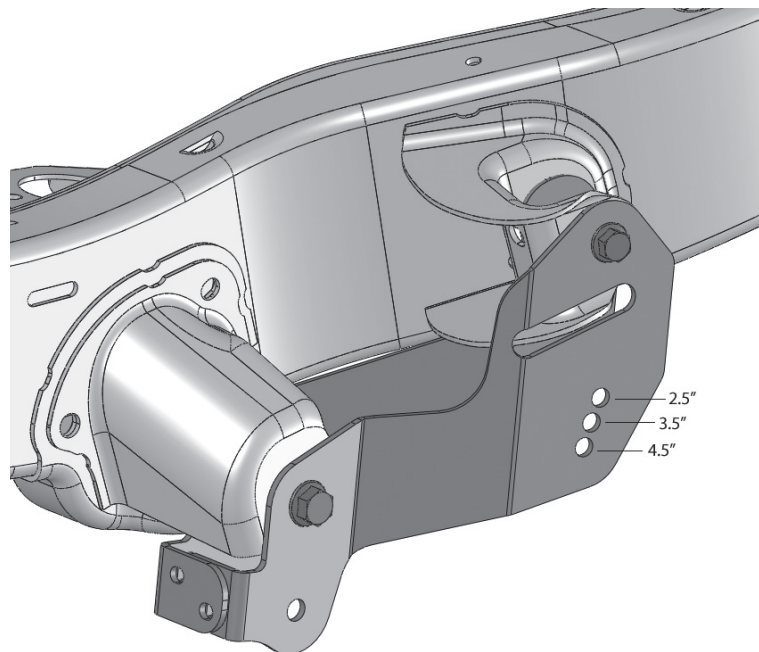


Fig. 3



## B. INSTALLATION WITH NON-AEV SUSPENSIONS

**IMPORTANT:** If you are installing this kit to a previously installed suspension system that utilized cam bolts, you'll want to remove and discard them and replace with supplied hardware (M14 bolt, nut, and two thick washers). You can tack weld the washers to add more support.

1. You'll first need to get a measurement from your vehicle to determine whether or not you should be using the drop brackets. Measure from the bottom of the frame to the top of the spring seat (Figure 4.)

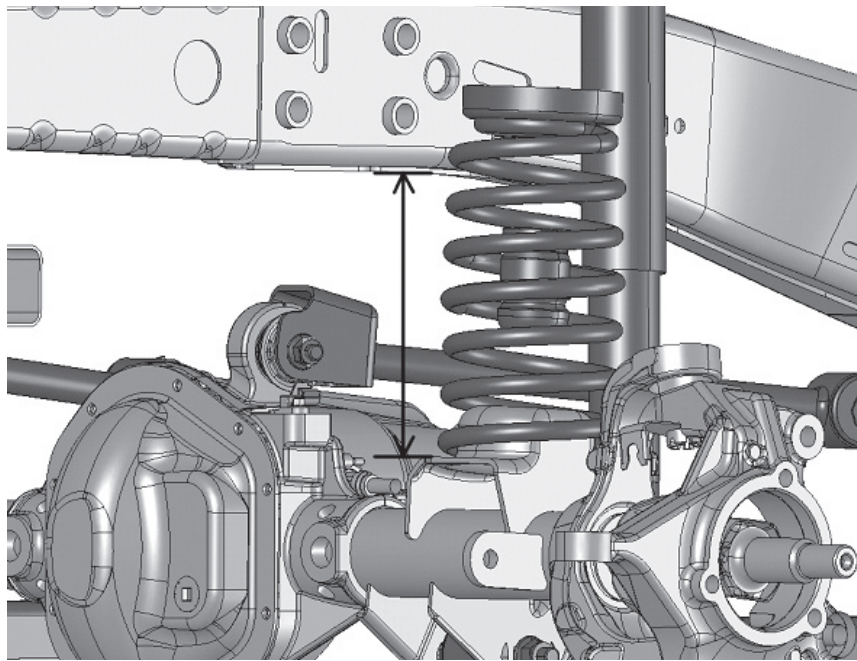


Fig. 4

2. NOTE: If your measurement is less than 5 1/2 inches we do not recommend these brackets.
3. If your measurement is greater than 9 inches adjustable control arms may be required to achieve the proper caster angle.
4. If your measurement is from 5 1/2 to 6 1/2 inches you'll install the upper control arm in the upper hole location (2.5") as illustrated in Figure 3.
5. If your measurement is from 6 1/2 to 8 inches you'll install the upper control arm in the middle hole location (3.5") as illustrated in Figure 3.
6. If your measurement is from 8 to 9 inches you'll install the upper control arm in the lower hole location (4.5") as illustrated in Figure 3.
7. You can now proceed to part A to finish the installation of the drop brackets.